

G4545BSS Stainless Steel Butt Hinge With Ball Bearing

Features

- Ball bearing provides smooth movement

Material

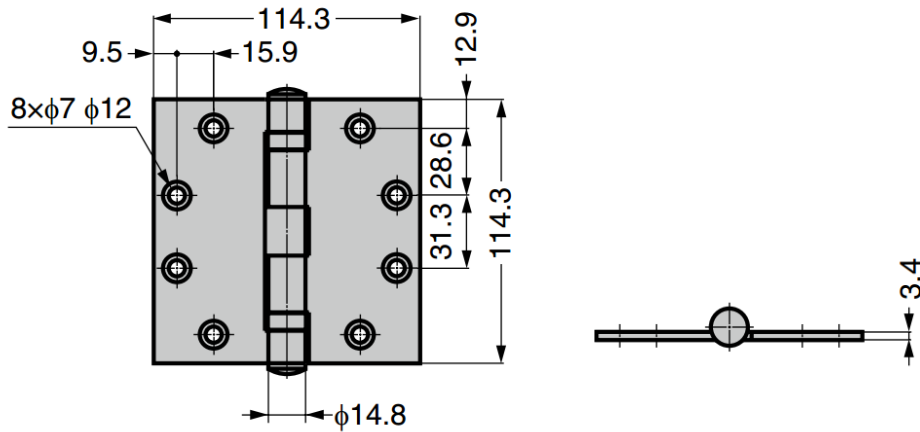
- Stainless steel 304, satin finish

Notes

- Countersinking is required for cabinet when installing to metal sheet

Parts Included

- Countersunk head tapping screw 5.5×32



Part No.	Load Capacity (per pair)	
G4545BSS	481 N	49 kg